

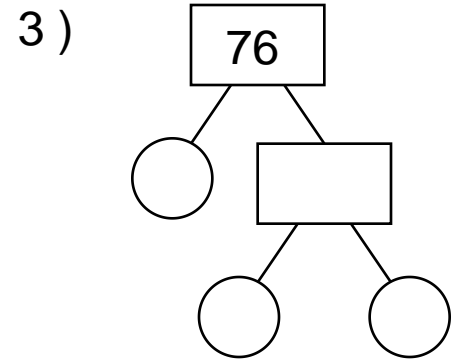
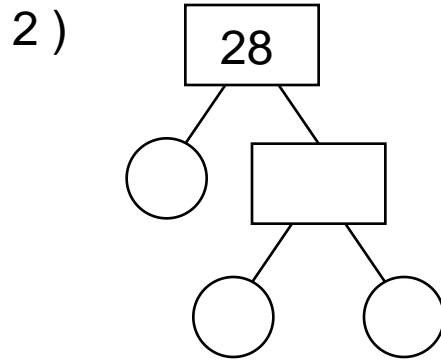
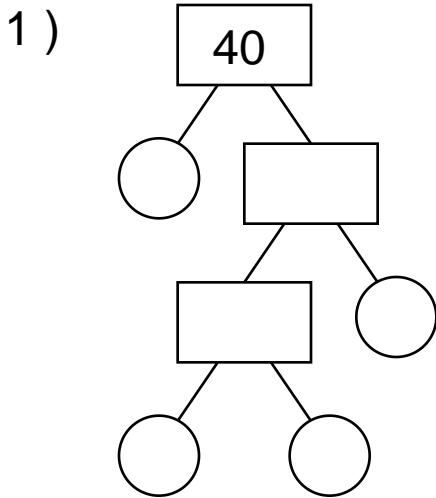
Name : _____

Score : _____

Teacher : _____

Date : _____

Find the Prime Factors of the Numbers



Prime Factors

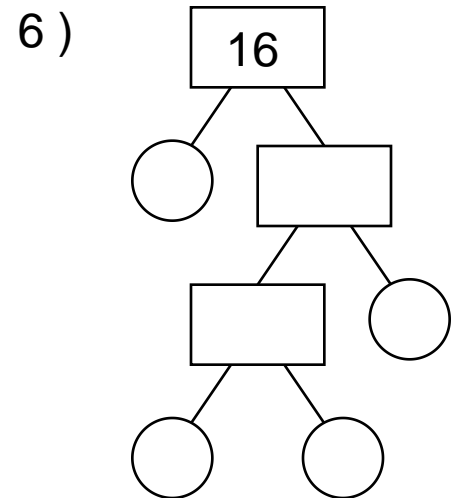
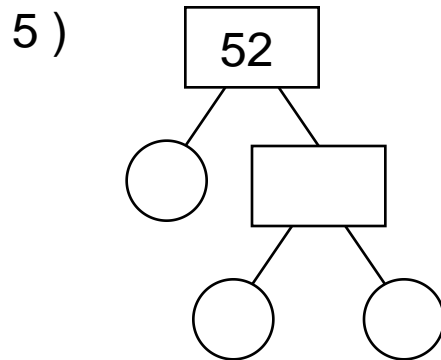
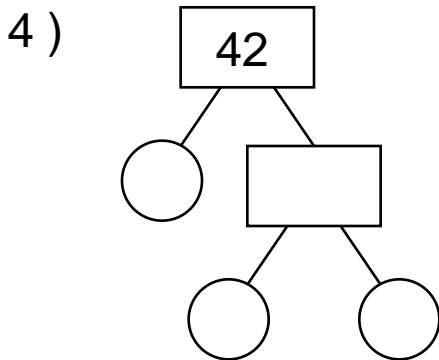
 x x x = 40

Prime Factors

 x x = 28

Prime Factors

 x x = 76



Prime Factors

 x x = 42

Prime Factors

 x x = 52

Prime Factors

 x x x = 16

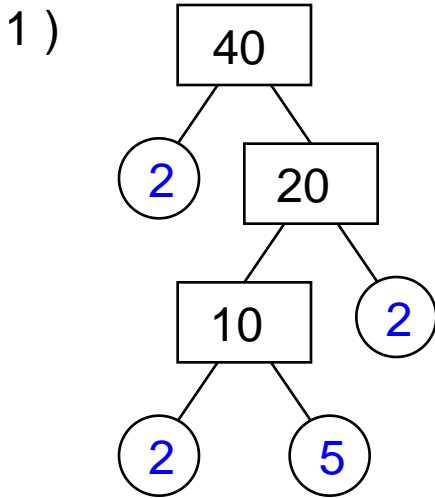
Name : _____

Score : _____

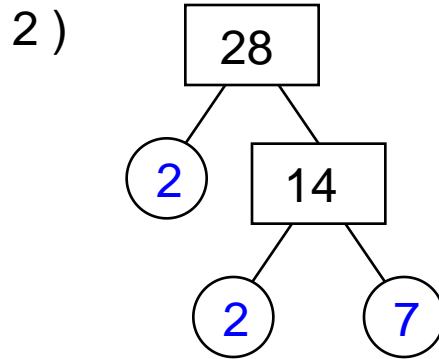
Teacher : _____

Date : _____

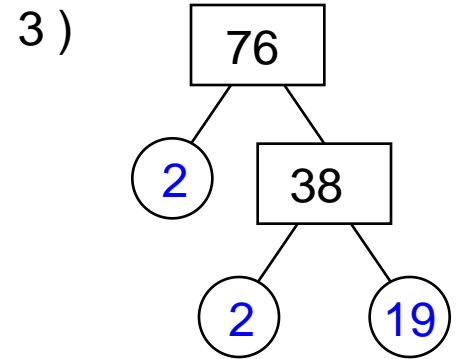
Find the Prime Factors of the Numbers



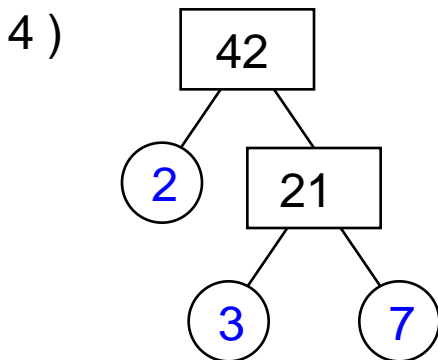
Factors
 $2 \times 2 \times 2 \times 5 = 40$



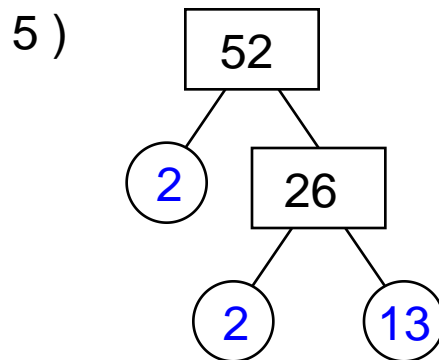
Factors
 $2 \times 2 \times 7 = 28$



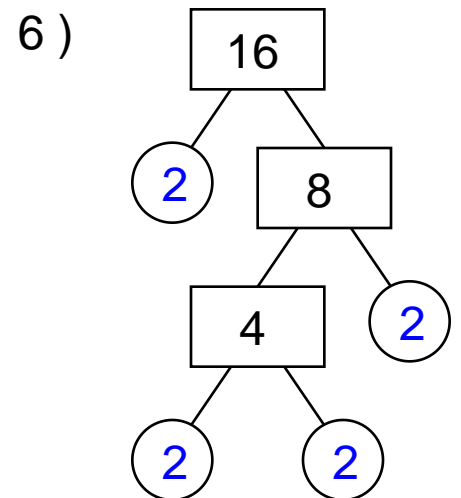
Factors
 $2 \times 2 \times 19 = 76$



Factors
 $2 \times 3 \times 7 = 42$



Factors
 $2 \times 2 \times 13 = 52$



Factors
 $2 \times 2 \times 2 \times 2 = 16$